

SEVERE DUTY SLURRY PUMPS

K-HSPP™ SUPER HIGH PRESSURE PUMP



KETO PUMPING SOLUTIONS - SUPERIOR PERFORMANCE EVEN IN THE MOST DEMANDING APPLICATIONS

KETO PUMPS VERSATILE SOLUTIONS

K-HSPP™ pump range has been developed to handle very high working pressures capable of handling even abrasive slurries with ease. Designed for high performance, high energy efficiency and long wear life, the K-HSPP™ slurry pumps serve a variety of slurry transportation applications.

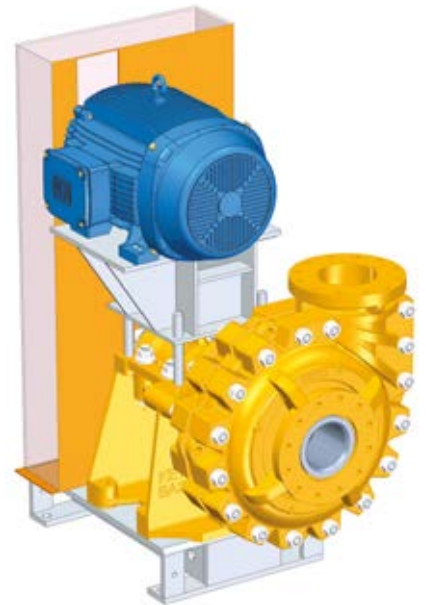
Shares proven unique design features with the K-HS™ pump range. High-pressure design constructed as horizontal, end-suction centrifugal pumps to maximise wear resistance and simplify maintenance. Made with abrasion resistant white irons, ductile irons and special alloys to match duty requirements. Other wear liner materials such as urethane are also available.

TECHNICAL DATA

- **Range from:** 50 mm (4") to 450 mm (18")
- **Flow rates to:** 6,500 m³/hr (28,619 USgpm)
- **Total head to:** 85 m (278 ft)
- **Pressures to:** 6,400 kPa (928 psi)
- **Material options:** chrome iron, rubber, urethane
- Specialist materials available on request for highly acidic or caustic duties

TYPICAL APPLICATIONS

- Mineral processing
- Chemical processing
- Coal preparation
- Effluent handling
- Long distance tailings



KETO K-HSPP™ SUPER HIGH PRESSURE PUMP

- FEATURES & BENEFITS

1 HEAVY DUTY BASE

- Heavy duty one piece frame with lifting points for easy maintenance

2 K-IBA™ HEAVY DUTY BEARING ASSEMBLY

- Easy to maintain cartridge style bearing assembly
- Modern bearing seals for increased reliability
- Patented grease and oil flinger allows a simple choice of oil or grease lubrication
- Bearing assembly can be replaced in-situ
- Various material options available including carbon steel and stainless steel

3 SINGLE PIECE SLEEVES

- Single piece allows for easy maintenance and removal
- Sleeves are available in ceramics or metal, including our solid Karbide™ shaft sleeve for long wear life
- Extended replacement intervals
- O-ring seals protect from abrasive/corrosive contaminants
- Expanded sealing options

4 K-HEE™ SEVERE DUTY HIGH EFFICIENCY IMPELLER

- KETO K-HEE™ reduces throat bush wear
- Improved hydraulics for higher efficiency
- Lower NPSHR and increased wear life
- Superior resistance to recirculating flows, twisted vanes enable better eye inlet conditions, controlling flow paths
- Multi-purpose design allowing reduced inventory requirements

5 STUFFING BOX SEALING

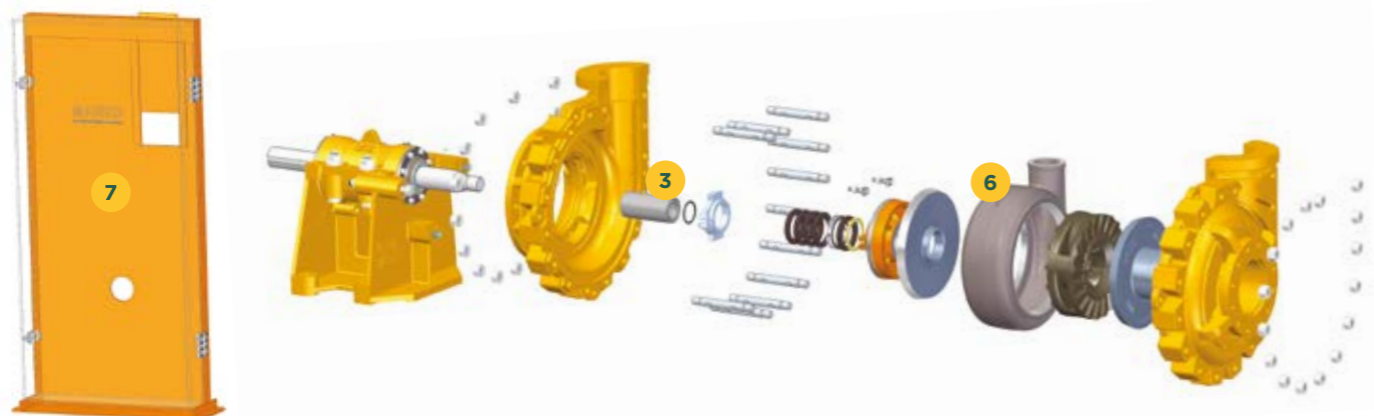
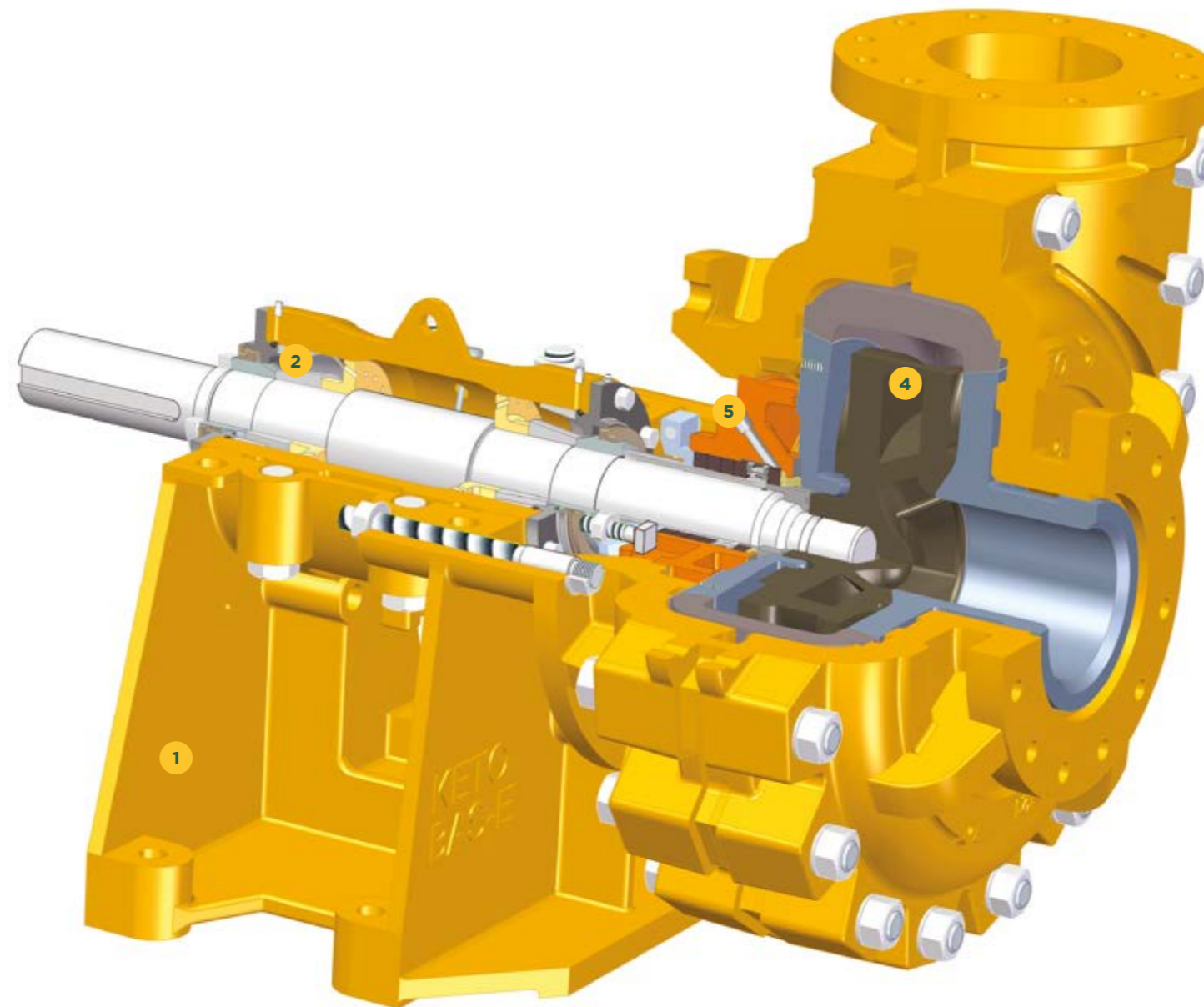
- Suited for high pressure
- SG70 material specification to accommodate the increased pressure rating

6 LINERS

- Liners are bolted to allow for easy maintenance
- Elastomer seal rings back all liner joints
- Thick section volute liners and frame plate liner inserts for high efficiency
- Allows ease of fitting multiple liner materials, including hard metal, thick section rubber or polyurethane
- Extra heavy duty Ductile Iron outer casings for higher working pressures and incorporating lifting points

7 POLYCARBONATE WINDOW BELT GUARD

- Tool free inspection
- Transparent case allows for easy maintenance and inspection of belt condition



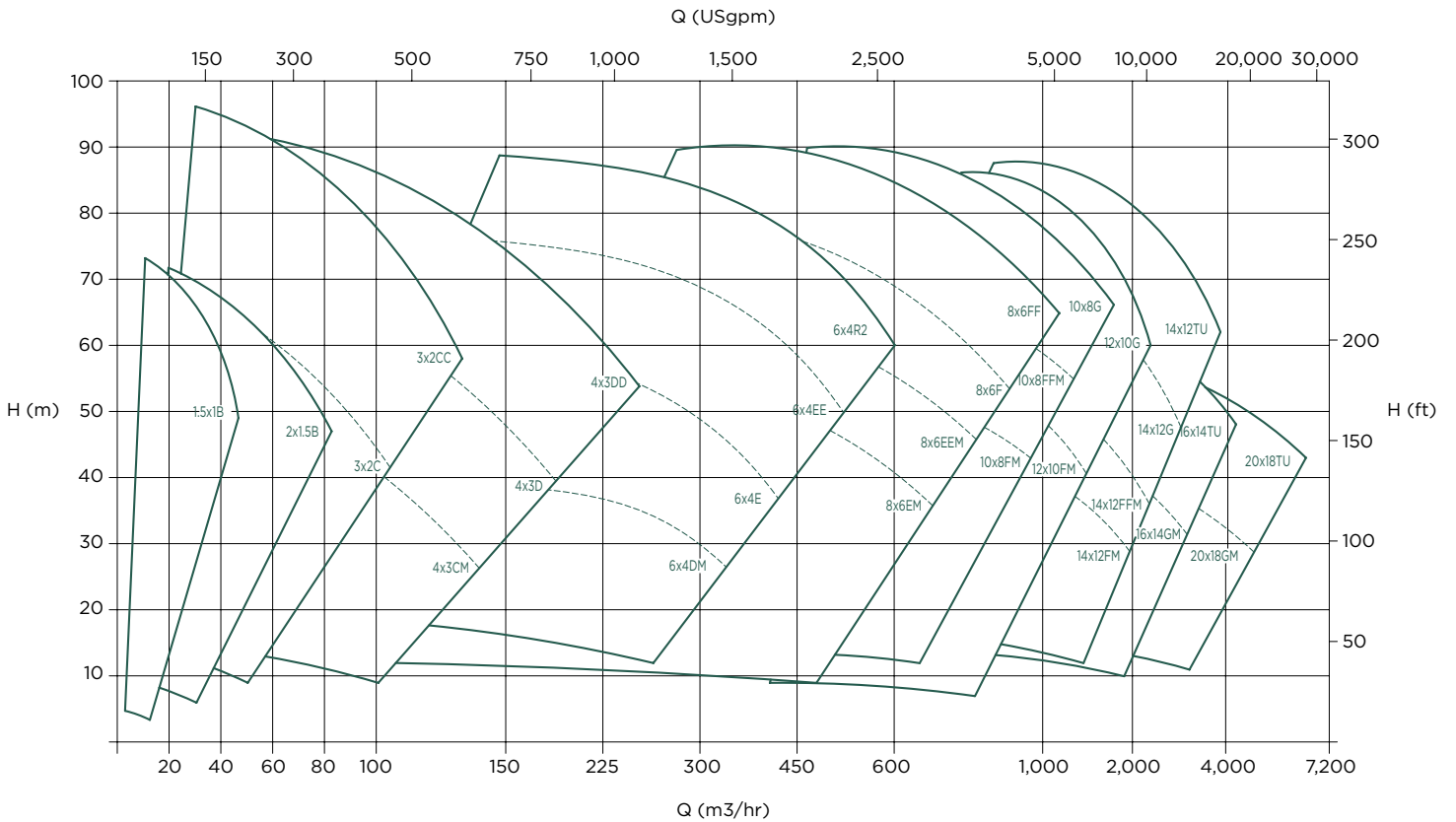
KETO Pumps offer a wide range of configurations allowing the pump to be tailored to a specific application

| WET END MATERIALS | IMPELLER | BEARINGS |
|-------------------------------------------------------------------------------------------------------------------------------------------------------------------------------------|-----------------------------------------------------------------------------------------------------------------------------------------------------------|---------------------------------------------------------------------------------------------------------------|
| Choice of: <ul style="list-style-type: none"> • Natural Rubber • WI05 27% Chrome • UR01 Urethane • Specialist materials on request | Choice of: <ul style="list-style-type: none"> • K-HEE™ severe duty high efficiency • High efficiency • Heavy duty | Choice of: <ul style="list-style-type: none"> • K-IBA™ heavy duty • Light duty |

*Standard range shown above, specialist engineered units are available on request.

STANDARD HYDRAULIC RANGE CHART

K-HSPP™ SUPER HIGH PRESSURE PUMPS RANGE COVERAGE CHART



DRIVE ARRANGEMENTS

CR/CL DRIVEN

- For applications where height or overhead spaced is limited

CV DRIVEN

- For applications where floor space or area is limited

ZV DRIVEN

- Used in installations where the selected motor is too large to be CV (overhead) mounted



8 rotations of 45 degrees available on discharge flange for all K-HSPP™ drive arrangements

FOR MORE INFORMATION PLEASE VISIT KETOPUMPS.COM
OR EMAIL INFO@KETOPUMPS.COM
OR CONTACT US AT ONE OF THE FOLLOWING LOCATIONS

AMERICAS

Email:
americas@ketopumps.com

Jacksonville, FL
Tel: +1 904 404 7169

Tucson, AZ
Tel: +1 520 579 6467

Bakersfield, CA
Tel: +1 661 393 8441

Salt Lake City, UT
Tel: +1 801 972 4372

AFRICA

Email:
africa@ketopumps.com

Johannesburg, South Africa
Tel: +27 86 100 5386

Middelburg, South Africa
Tel: +27 13 246 1970

EUROPE OMIM LTD

www.omim-bg.com

Email
office@omim-bg.com

Sofia, Bulgaria

Tel: +3592 967 02 06
Fax: +3592 967 02
09

AUSTRALASIA

Email:
australasia@ketopumps.com

Henderson, WA
Tel: +61 8 9494 8400

ASIA

Email:
asia@ketopumps.com

Beijing, China
Tel: +86 10 6598 9539

KETO pumps reserves the right to incorporate our latest design and material changes without notice or obligation. Copyright © 2018 KETO Pumps

